

▶ ACOUSTIC-OPTICAL ALARM DEVICE **SA-K7N**

DOCUMENTS ISSUED BY CNBOP-PIB:

- CERTIFICATE CPR
- CERTIFICATE OF ADMITTANCE

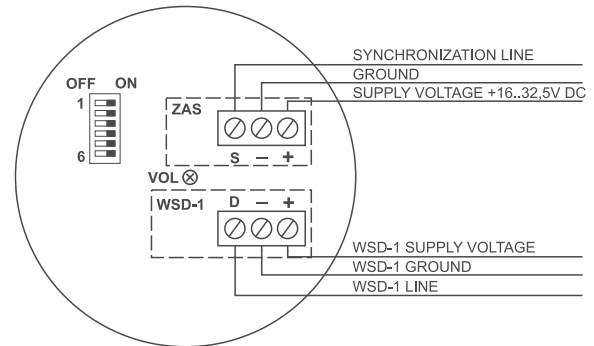


▶ **Product description:**

- SA-K7N device is destined for acoustic-optical signalling in indoor fire alarm systems.
- Device is made in three variants: 9m, 6m and 3m. Depending on version of alarm device, coverage area changes (the area, in which light intensity is higher than 0,4lx).
- The acoustic part of alarm device enables volume adjustment and use of linear volume increase option (from approx. 70dB up to 100dB @ 1m).
- Adjustment of volume is done by means of potentiometer located in cover of signalling device, while the option of progressive volume increase is switched on by shifting the micro switch to adequate position.
- 16 sound patterns.
- The SA-K7N enables creation of synchronously operating signalling devices' network (the acoustic and optical parts are being synchronised with use of additional line).
- The signalling device meets requirements of EN 54-23, EN 54-3 standards.
- SA-K7N cooperates with WSD-1 switch.

Connection diagram:

NO.	Name	Function
1	M/S	(ON) - master mode / (OFF) - slave mode
2	S0	Sound pattern selection
3	S1	Sound pattern selection
4	S2	Sound pattern selection
5	S3	Sound pattern selection
6	VR	An option of linear increasing volume: ON/OFF



Technical data:

Type	acoustic-optical
Supply voltage	16..32,5V DC
Current consumption in the off state	0mA
Current consumption at 24V DC	SA-K7/3m <75mA SA-K7/6m <75mA SA-K7/9m <110mA
Power consumption at 24V DC	SA-K7/3m <1,8W SA-K7/6m <1,8W SA-K7/9m <2,64W
Sound output at 1m	>100dB
Device type	Type A
Ingress protection	IP 33
Working temperature range	-10°C ÷ 55°C
Relative humidity	< 95% at +40°C
Housing	plastic
Wire type of signal line/supply line	According to standards, guaranteed cross-section according to EN 54-23 (from 0,28mm ² to 1,5 mm ²).
Max cross-section	2,5mm ²
Light colour	According to Certificate of admittance : red According to EN 54-23: white or red
Frequency of flashing/Flash time	33,6 flashes per minute
Single flash time	SA-K7N/3m t _b ~0,15s SA-K7N/6m t _b ~0,15s SA-K7N/9m t _b ~0,19s
Device category	Category O
Weight	SA-K7N/3m, SA-K7N/6m ~300g SA-K7N/9m ~350g
Dimensions	ø115x100mm
Cooperating junction box	PIP-1AN, PIP-3AN (synchronization)