

# SOUNDER

## SA-P8



### DOCUMENTS ISSUED BY CNBOP-PIB:

- CERTIFICATE CPR
- CERTIFICATE OF APPROVAL



### Technical data:

Type	sounder
Supply voltage	16-32,5 V DC
Current consumption in off state	0 mA
Current consumption in on state	<40 mA*
Power consumption in on state	<0,96 W*
Sound output	>100 dB*
Flash frequency	not applicable
Flash time	not applicable
Time between flashes	not applicable
Device category	not applicable
Device type	type A
Working temperature	-10°C ÷ +55°C
IP protection degree	IP33
IK protection degree	IK07
Conductor cross-section	2,5 mm <sup>2</sup>
Dimensions	ø114x88 mm
Weight	~235 g

\*for default settings (supply voltage  $U_z=24V$  DC, fire service signal, potentiometer maximum, optional gradual volume increasing – ON)

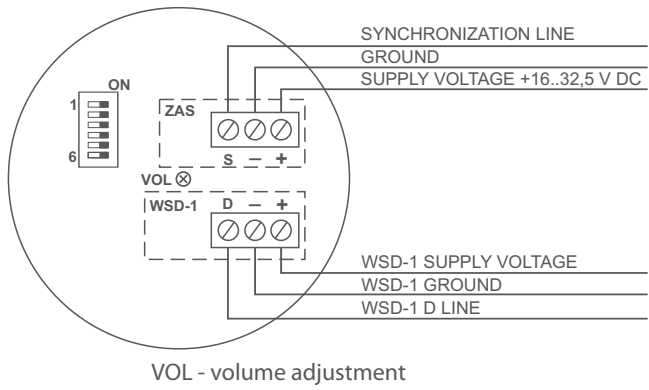
### Product description:

- Alarm signal sequence in accordance with EN 54-3:2001+A1:2002+A2:2006.
- High sound level of generated alarm signal.
- 16 sound patterns to choose.
- Gradual volume increasing option.
- Built-in potentiometer to control sound level.
- Reinforced housing IK07.
- Inrush current limiter.
- Synchronization option.
- Also possible to synchronize with: SA-K5N, SA-K7N, SAOZ-Pk2, SAO-P8 (acoustic part).
- Cooperates with: PIP-1AN, PIP-3AN, OM-1, OZ-50-3, WSD-1.

### Varieties:

Varieties	Description
SA-P8/C	sounder in red housing
SA-P8/B	sounder in white housing

**Connection diagram:**



Microswitch	Mark	Function
1	M/S	Operating mode selection MASTER (ON)/ SLAVE (OFF)
2	S0	Sound pattern selection
3	S1	Sound pattern selection
4	S2	Sound pattern selection
5	S3	Sound pattern selection
6	VR	Optional gradual volume increasing (ON)

**Synchronization scheme example:**

