

VOICE SOUNDER SG-Pgw3



DOCUMENTS ISSUED BY CNBOP-PIB:

- CERTIFICATE CPR
- CERTIFICATE OF APPROVAL



Technical data:

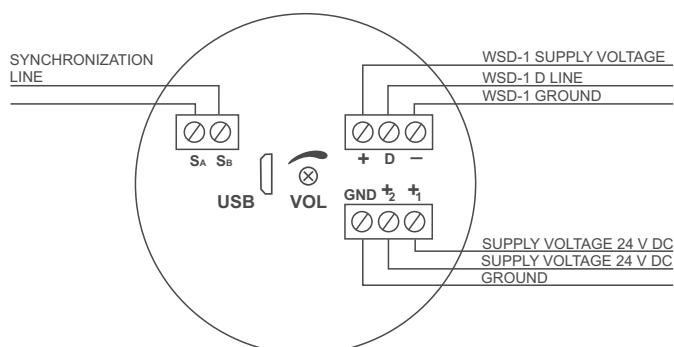
Type	voice sounder
Supply voltage	20-32,5 V DC
Current consumption in off state	0 mA
Current consumption in on state	<220 mA*
Power consumption in on state	<5,28 W*
Sound output	>90 dB*
Flash frequency	not applicable
Flash time	not applicable
Time between flashes	not applicable
Device category	not applicable
Device type	type A
Working temperature	-10°C ÷ +55°C
IP protection degree	IP31C
IK protection degree	not applicable
Conductor cross-section	2,5 mm ²
Dimensions	ø115x78 mm
Weight	~325 g

*for default settings (supply voltage $U_z=24$ V DC, fire service signal, potentiometer maximum)

Product description:

- Alarm signal sequence in accordance with EN 54-3:2001+A1:2002+A2:2006.
- Easy message programming (as in a mass storage device).
- *.mp3 message compatibility.
- High message sound quality.
- 18 alarm sound patterns to choose from.
- Auto-addressing in a network (no need to program signalling devices as master/slave).
- Synchronisation of signalling devices in a network.
- Automatic dissemination of messages to all signalling devices in a network.
- Self-diagnostics and acoustic signalling.
- Undervoltage-lockout (to test line continuity).
- Compatible with WSD-1 switch.
- High volume of alarm signal.
- Built-in potentiometer to control sound level.

Connection diagram:



VOL - volume adjustment, USB - communication port

Providing the supply voltage to: input +1 will play message K1.mp3, input +2 will play message K2.mp3, inputs +1 and +2 at the same time will play message K3.mp3