

# VOICE SOUNDER SG-Wgw2 IP65



## Technical data:

Type	voice sounder
Supply voltage	10,5-32,5 V DC
Current consumption in off state	<60 mA**
Current consumption in on state	<260 mA*
Power consumption in on state	<6,24 W*
Sound output at 1m	>90 dB*
Flash frequency	not applicable
Flash time	not applicable
Time between flashes	not applicable
Device category	not applicable
Device type	indoor
Working temperature	-10°C ÷ +55°C
Ingress protection (IP code)	IP65
Mechanical resistance (IK code)	IK07
Max. cross section	2,5 mm <sup>2</sup>
Dimensions	ø114x122x73 mm
Weight	~655 g

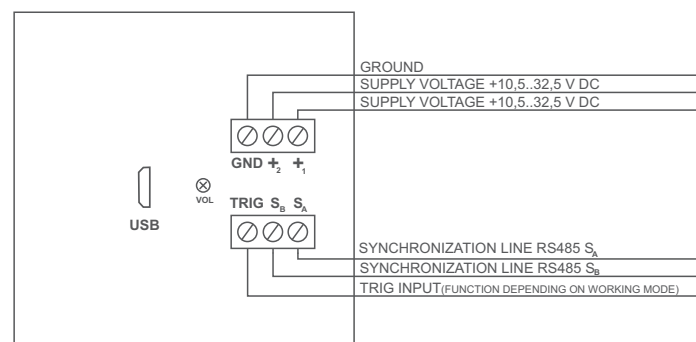
\*for Uz=24 V DC, f=1 kHz sinus

\*\*for Uz=8 V DC

## Product description:

- Wide range of supply voltage 10,5-32,5 V.
- Simple addressing of alarm sequences.
- 5 different working modes.
- Ability to play own voice messages and sounds.
- Plays \*.wav and \*.mp3 files.
- 4MB built-in memory.
- Adjustable volume (potentiometer).
- Backwards compatible with SG-Wgw, SG-Wgw IP65 (\*.bw2 files).
- Robust housing with durability mechanical IK07.
- Synchronization option (RS-485).
- Cooperates with: MA-01.

## Connection scheme:



VOL - volume control potentiometer  
USB - communication port

**Synchronization example:**

