

VOICE SOUNDER SG-Wgw2



Technical data:

Type	voice sounder
Supply voltage	10,5-32,5 V DC
Current consumption in off state	<60 mA**
Current consumption in on state	<240 mA*
Power consumption in on state	<5,76 W*
Sound output at 1m	>90 dB*
Flash frequency	not applicable
Flash time	not applicable
Time between flashes	not applicable
Device category	not applicable
Device type	indoor
Working temperature	-10°C ÷ +55°C
Ingress protection (IP code)	IP31C
Mechanical resistance (IK code)	not applicable
Max. cross section	2,5 mm ²
Dimensions	ø114x76 mm
Weight	~335 g

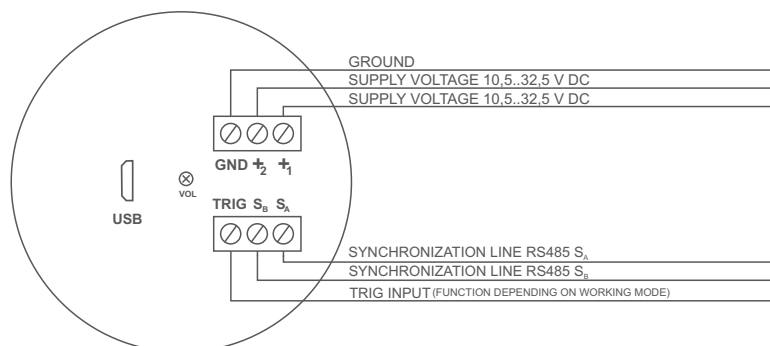
*for Uz=24 V DC, f=1 kHz sinus

**for Uz=8 V DC

Product description:

- Wide range of supply voltage 10,5-32,5 V.
- Simple addressing of alarm sequences.
- 5 different working modes.
- Ability to play own voice messages and sounds.
- Plays *.wav and *.mp3 files.
- 4MB built-in memory.
- Adjustable volume (potentiometer).
- Backwards compatible with SG-Wgw, SG-Wgw IP65 (*.bw2 files).
- Comes also in solid housing SG-Wgw2 IP65.
- Synchronization option (RS-485).
- Cooperates with: OZ-40-2, MA-01, OM-1.

Connection scheme:



VOL - volume control potentiometer
USB - communication port

► Synchronization example:

